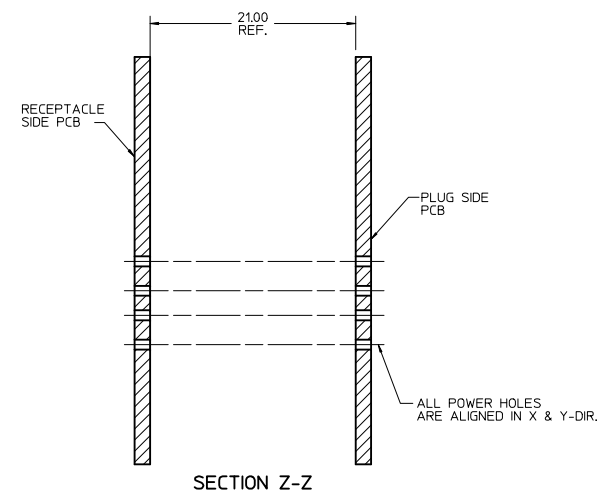
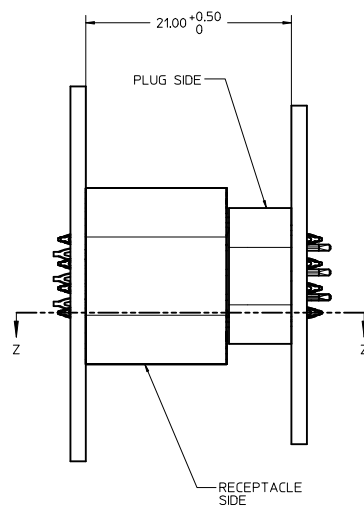
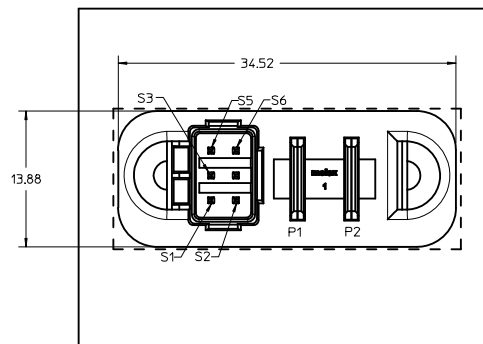


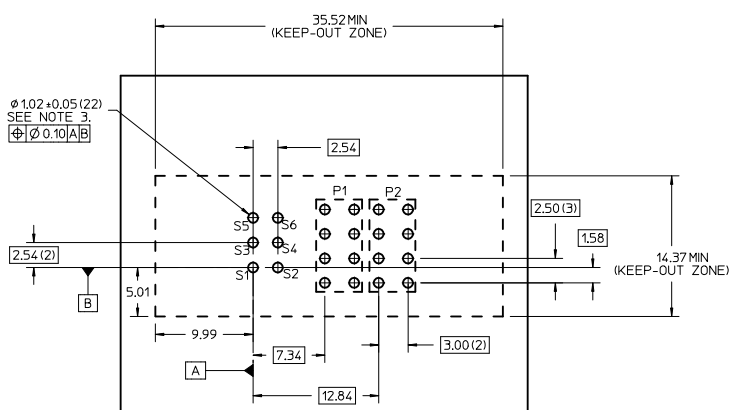
MOLEX P/N: 76546-1093



SECTION Z-Z

NOTES:

- MATERIAL:
 - HOUSINGS: PBT 30% GF, V-0, COLOR: BLACK.
 - TERMINALS: COPPER ALLOY.
 - PLATING: 0.00127mm NICKEL OVERALL WITH 0.00254mm SELECTIVE MATTE TIN ON TAILS. AND 0.000762mm SELECTIVE GOLD ON CONTACT AREA.
- ASSEMBLIES TO BE TRAY PACKED; STD QUANTITY: TBD.
- PC BOARD REQUIRES PLATED THRU HOLES. REFER TO PS-46436-100 FOR DETAILS.
- PRODUCT SPEC: PS-46436-100.
- APPLICATION SPEC: AS-46436-100.
- SEE PRODUCT SPEC FOR ROHS REQUIREMENTS.
- ASSEMBLY MATES WITH MOLEX RECEPTACLE ASSEMBLY, P/N 46562-1093.



REVISE NOTES IEC NO. UCP2012-0378 DRAWN BY A2 CHKD: APPR: APATEL 2011/08/09 2012/06/14	QUALITY SYMBOLS	GENERAL TOLERANCES (UNLESS SPECIFIED)	DIMENSION STYLE MM ONLY	SCALE 4:1	DESIGN UNITS METRIC	THIRD ANGLE PROJECTION
	4 PLACES ± --- ± --- 3 PLACES ± --- ± --- 2 PLACES ± 0.25 ± --- 1 PLACE ± 0.25 ± --- ANGULAR ± 1/2°	mm INCH BKOSTIC DATE 2010/10/21 CHECKED BY DATE BKOSTIC 2010/10/21 APPROVED BY DATE APATEL 2011/01/10	MATERIAL NO. 76546-1093	DOCUMENT NO. SD-76546-1093	TITLE VERTICAL PLUG ASSY 6S-2P, PRESS-FIT TEN60 POWER FAMILY	MOLEX INCORPORATED
DRAFT WHERE APPLICABLE MUST REMAIN WITHIN DIMENSIONS		THIS DRAWING CONTAINS INFORMATION THAT IS PROPRIETARY TO MOLEX INCORPORATED AND SHOULD NOT BE USED WITHOUT WRITTEN PERMISSION				